

POLYGAL® TITAN

## TITAN Extra-Sturdy Multi-Layered Panels

Polygal Titan is a highly durable construction panel designed to endure extreme weather conditions and high environmental and structural stress. Polygal Titan's unique cross-braced design gives these panels their extra strength and durability, and provides important energy-saving insulation. Polygal Titan is available in 10 and 16 mm thicknesses.

### Main Application

Roofing and glazing panels for buildings in extreme climates, Polygal Titan provides a cost-effective solution where extra strength and durability are required and energy cost-savings are desired.

### Main Benefits

Extra light-weight - 6-times lighter than glass and 3 times less than comparable-sized acrylic panels - Polygal Titan provide superior resistance to snow and wind pressure.

### Unbreakable

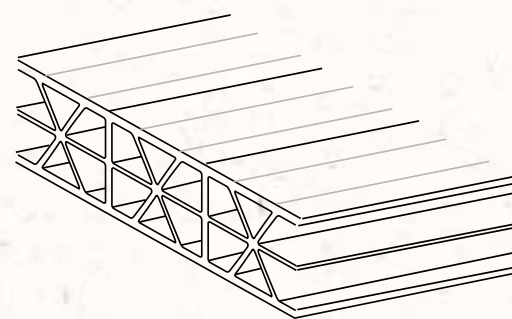
Polygal's high-quality panels are 200 times stronger than glass and eight times stronger than acrylic sheets. Each Polygal panel passes stringent inspection and complies with the ISO 9002 quality control standards.

### Excellent Insulation

With Polygal Titan's unique cross-braced design, air is trapped in the panels' inner ribs, where it serves as an excellent insulator, reducing heating and cooling expenses by up to 50% compared to comparable glass or acrylic panels.

### UltraViolet (UV) Radiation Protection

Polygal Titan panels' special UV radiation resistance feature provides long-term protection against damage from even the most intense sunlight. Titan panels' special outer layer blocks penetration of short-wave UV radiation up to 385 nanometers - providing important UV protection for people and objects behind the polycarbonate roofing.



### Excellent Light Transmission

Titan panels are ideal for applications where maximum light transmission is required.

### Suitable for all Weather Conditions

Titan panels are built to withstand all types of weather conditions, within a temperature range of to -40°F + 240°F.

### Easy to Install

Polygal Titan panels are easy to install using standard tools. The panels can be bent with or without applying heat for easy and fast installation.

### Standard Colors

Clear, Ice and Bronze. Other colors and shades are available by special order.

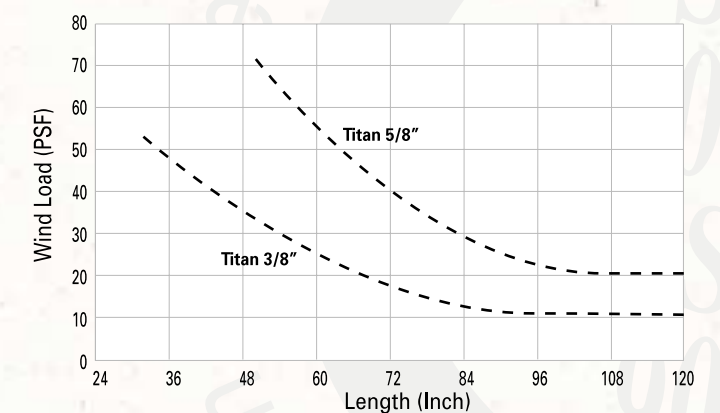
### Extra Light-weight

Polygal's extra light-weight panels are one sixth of the weight of glass and 1/3 of the weight of comparably sized acrylic sheets. This extra-light building material allows for significant savings in installation costs.

### Titan - Technical Specifications

|  |  |
|--|--|
| Colors                                   | Clear, Bronze, Ice   |
| Weight (lb/ft <sup>2</sup> )             | 3/8" - 0.35<br>5/8" - 0.55   |
| Panel Thickness                          | 3/8" - 5/8"  |
| Minimum Radius for Bending Without Heat  | 5'9" for 3/8"<br>9'2" for 5/8"   |
| Standard Width                           | 47.25"   |
| Standard Lengths                         | up to 36'  |
| U Factor                                 | 3/8" 0.44 Btu/hr-ft <sup>2</sup> ·F<br>5/8" 0.39 Btu/hr-ft <sup>2</sup> ·F |
| Light Transmission                       | Clear: 61%<br>Ice: 32%<br>Bronze: 42%                                      |
| Thermal Expansion                        | Clear, opal: 1/8" per 3'<br>Bronze: 1/4" per 4'                            |
| Minimum Angle Recommended for Roof Slope | 10%  |

### Load vs Length of Titan 3/8" and Titan 5/8" 47 1/4" Wide at 2" Deflection



For over 25 years, Polygal has been developing and manufacturing a wide range of multi-layered polycarbonate panels, which are proudly installed in buildings worldwide. A leader in its field, Polygal is known around the world for the quality of its products and was the first in the world to produce multi-wall polycarbonate panels for building applications.



**POLYGAL Plastics Industries Ltd.**  
Ramat Hashofet 19238  
Israel  
Tel: 972-4-959 6222  
Fax: 972-4-959 6284  
E-mail: sales@polygal.co.il  
Web: www.polygal.com

**POLYGAL USA Inc.**  
1227 Barberry Drive  
Janesville WI 53545  
Tel: 1-608-757 1313; 1-800 537 0095  
Fax: 1-608-757 1525  
E-mail: sales@polygalusa.com  
Web site: www.polygalusa.com

**POLYGAL UK**  
2 North Crawley Rd.  
Newport Pagnell  
Milton Keynes, MK16 9HG, U.K  
Tel: 44-1908-217 054  
Fax: 44-1908-210 942  
E-mail: polygal@btinternet.com



The information above relates specifically to PCSS made from a particular polycarbonate resin and is not relevant to any similar generic product. No liability is accepted for any loss or damage from the use of this data which is given in good faith, but without commitment, and no warranty is given or implied. Polycarbonate is a combustible thermoplastic. Avoid exposure to excessive heat or to aromatic solvents. Precautions used to protect other common combustibles should be followed. The values presented were obtained in laboratory conditions and represent test averages, with no safety factor. The values do not indicate sales specifications limits and should be considered only as a suggested guide line. Polygal® retains the right to change said values without notice.

TIT-AM-02.00-04  
YARKONI FLINT ADV.